

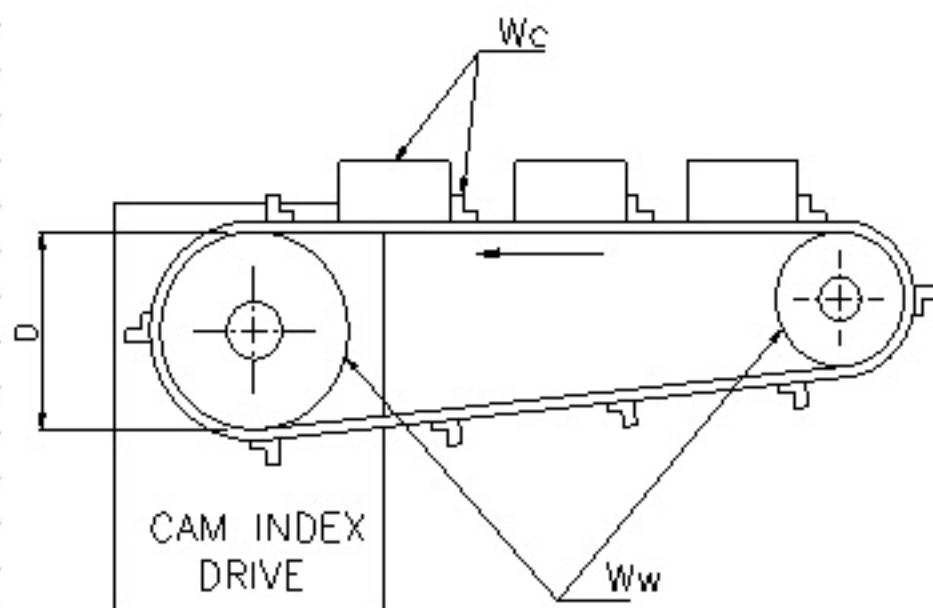


**DATA SHEET
FOR**

CONVEYOR TYPE CAM INDEX DRIVE (GLOBOIDAL CAM)

(To be filled by the customer)

Name Of Customer :	
Address :	
Contact Person :	
Dept./Designation :	
Contact No. :	
Date and Signature :	



DATA	SYMBOL	UNITS	VALUE / TYPE
Application type, Rotation of input shaft of drive is "Start Stop" OR "Continuous"			Start stop/Continuous*
Cam Index Period / Dwell Period If operation is Continuous	α / β	degree	
Total weight of chains, attachments and parts conveyed	Wc	kg	
Diameter of driving wheel	D	m	
Weight of all chain wheels	Ww	kg	
Distance traveled per index	dt	m	
Index time	Ts	sec.	
Indexing frequency	Na	Index/min.	

Input & outut shaft rotation	<p>(A)</p>	<p>(B)</p>	<p>A / B *</p> <p>(Standard supply B)</p>
---------------------------------	------------	------------	---

* Strike off which is not applicable